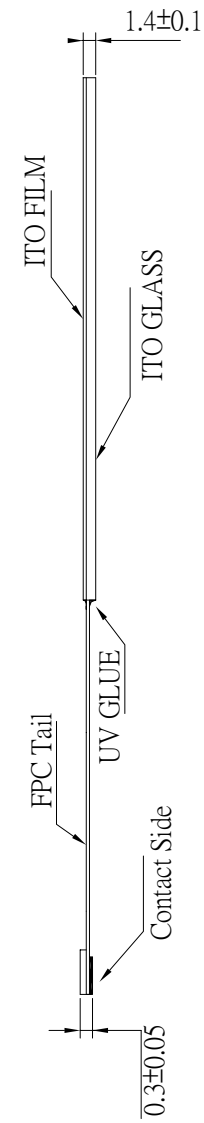
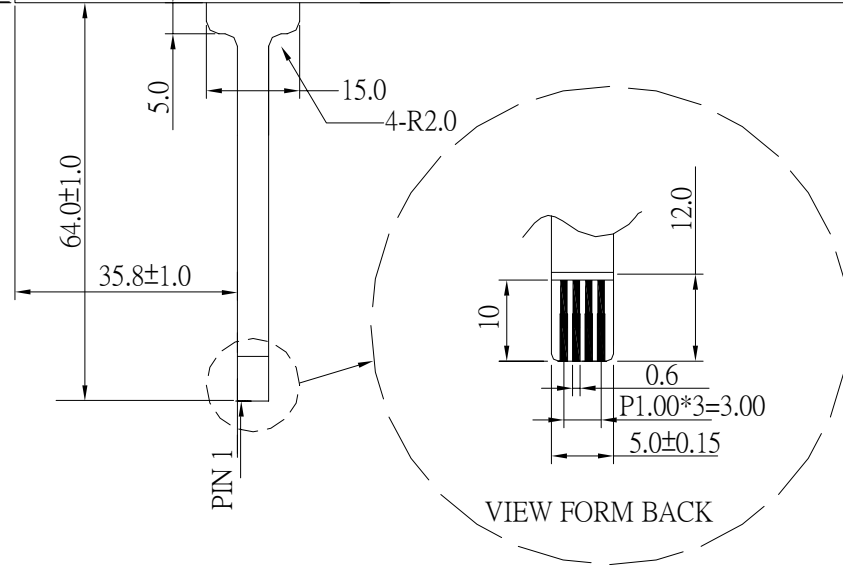
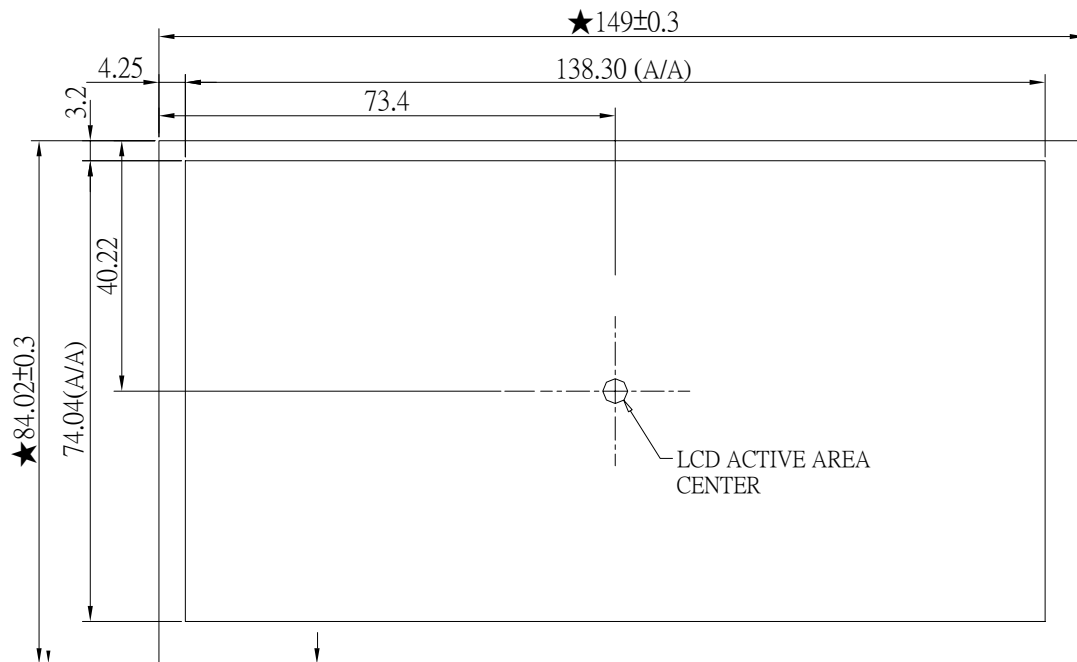


DWG No. 2K9C0101DV0

Version	Revise content	Check



Note :  
 Pin 1 : Left  
 Pin 2 : Bottom  
 Pin 3 : Right  
 Pin 4 : Top  
 Pin Pitch : 1.0 mm  
 ITO Glass : 1.1 mm  
 Total Thickness : 1.4 ±0.1 mm  
 Faceplate Surface : Anti-glare coating  
 A/A Inside Active  
 A/A Outside Non-Active



品名	SE-061I1	製圖	Jason	良英股份有限公司 SUPER ELITE TECHNOLOGY CO., LTD	Unit: mm Tolerance ±0.5mm	發行日期:	12 - 01 - 2009
客戶圖號	CLAA061LA0ACW	確認	Cheng			變更日期:	